

No 15 base unit pull-out

Page 2-A1

For 90° and diagonal front panels
Multifunctional



cookingAGENT

Page 2-A9

For 90° front panels
Multifunctional



COMFORT base unit pull-out

Page 2-9

For 90° and diagonal front panels



DISPENSA Junior

Page 2-15

For widths from 30 – 60 cm
Bottom panel mounting



Pull-outs and inside pull-outs

Page 2-19

For base units 40, 45, 50 and 60 cm wide



TANDEM swivel pull-out

Page 2-27

Swivel pull-out with treid-and-tested follower system



Special fittings

Page 2-29

Bread and bottle pull-outs, bottle baskets for base units



PORTERO pull-out & accessories for cleaning agents

Page 2-33

Practical, well-planned storage for cleaning agents and detergents



cleaningAGENT

Page 2-36a

Practical, well-planned storage for cleaning agents and detergents



Hob safety guard

Page 2-39

For hob widths 60 and 90 cm





Page 2-41

Storage racks

Widths up to 120 cm



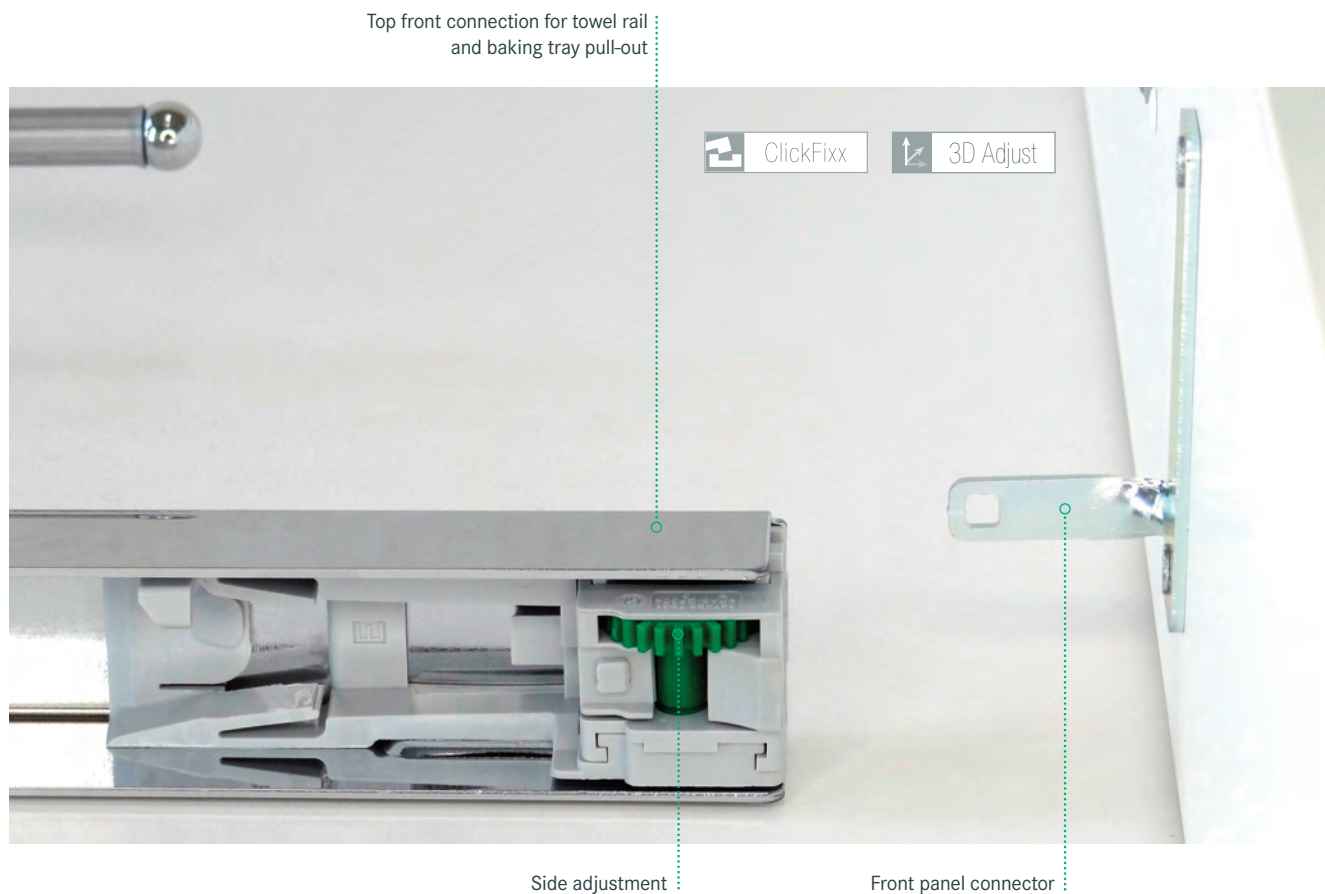
Page 2-45

Swing-up fittings

Kitchen aids stored under the worktop swing into action
For base units from 45 to 60 cm



No.15 – base unit pull-out –
makes great use of narrow gaps.



no.15 – Ultra-slim pull-out with ClickFixx. Now with 3D front adjustment!

Two interface options for the 3D-X No.15 pull-out make for easy integration in any production process. The fitting can now either be clipped onto the runner without tools or connected using a front panel connector.

3D front adjustment makes adjustment ultra-simple.

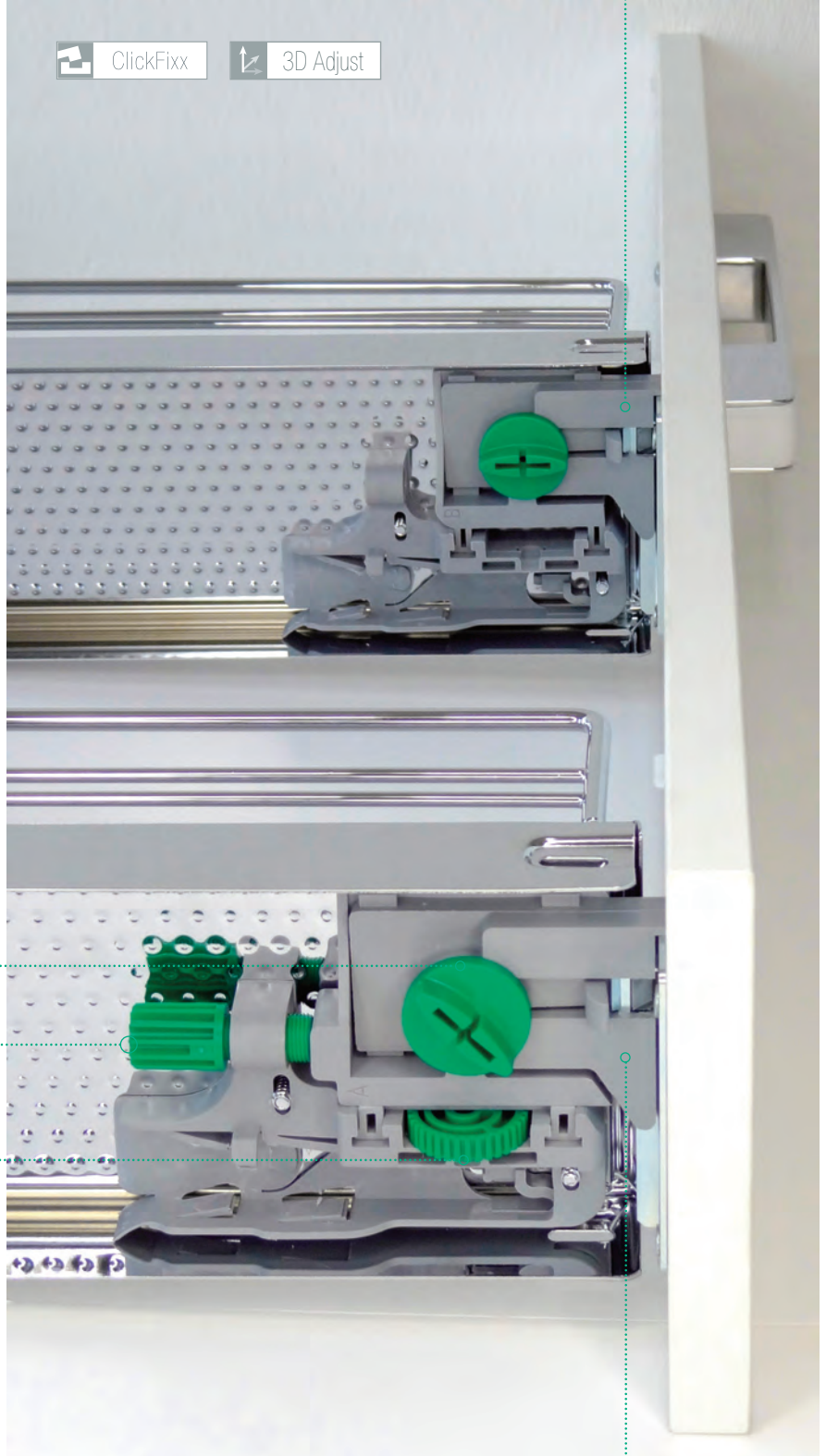
Product features

- ClickFixx clip-on connection for fitting and runner or fitting and front panel.
- Toolless 3D front adjustment
- Can be installed with or without front panel, SoftStopp Plus with self-closing
- Available for the 90° version of towel rail, baking tray holder and 2-tray No.15 pull-out.

3D-X PULL-OUT



Front panel connector



Top front connector for 2-tray pull-out

ClickFixx 3D Adjust

Side adjustment

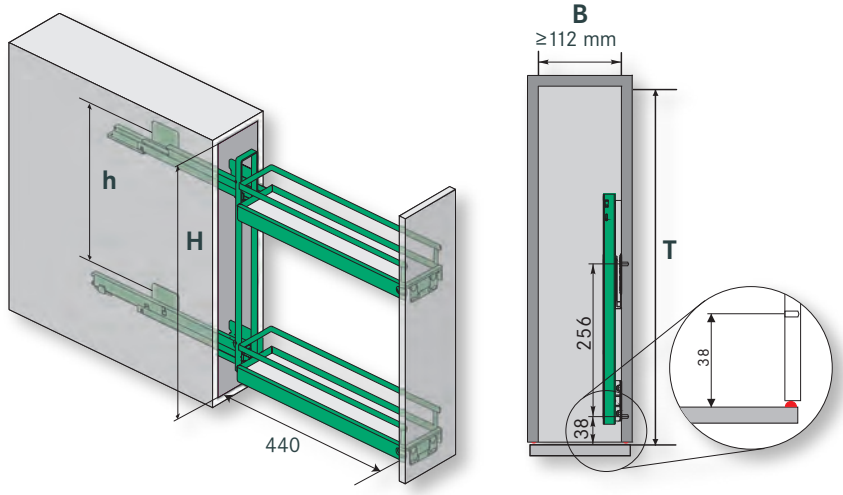
Tilt adjustment

Height adjustment

Toolless 3D front adjustment

Height and tilt are adjusted on the bottom front connector. The top front connector with its 'floating' bearing automatically keeps the connectors parallel when bottom connector height is changed.

Bottom front connector for 2-tray fitting and for towel rail and baking tray pull-out.



No.15 base unit pull-out, 90° front panel angle

	2 trays	3 trays
B = inside carcase width:	≥ 112 mm	≥ 112 mm
T = inside carcase depth:	≥ 481 mm	≥ 481 mm
H = inside carcase height:	≥ 542 mm	≥ 755 mm
h = hole distance:	380 mm	595 mm



Art. no. Dimensions (mm)

for 90° unit
attach right
Maximum load:
12 kg

No.15 base unit pull-out, STYLE, 2 trays
Standard with **SOFTSTOPP** damping complete;
incl. textured metal trays
and full-extension runners

03 5412



05 5412 3D-X



for 90° unit
attach right
Maximum load:
12 kg

No.15 base unit pull-out, CLASSIC, 2 trays
Standard with **SOFTSTOPP** damping complete;
incl. textured metal trays
and full-extension runners

01 5412



04 5412 3D-X



03 5413 for 90° unit
attach right
Maximum load:
12 kg

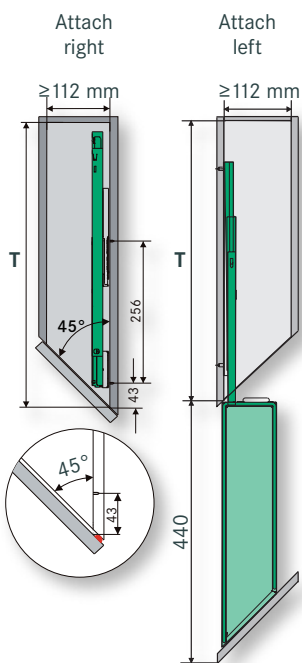
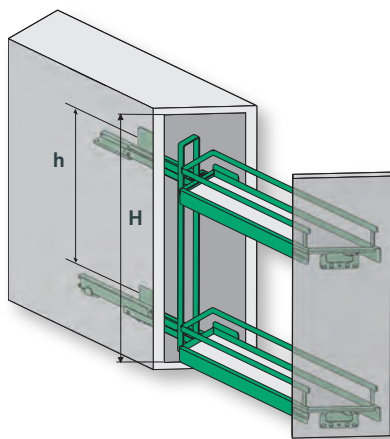
No.15 base unit pull-out, STYLE, 3 trays
complete;
incl. textured metal trays
and full-extension runners



01 5413 for 90° unit
attach right
Maximum load:
12 kg

No.15 base unit pull-out, CLASSIC, 3 trays
complete;
incl. textured metal trays
and full-extension runners

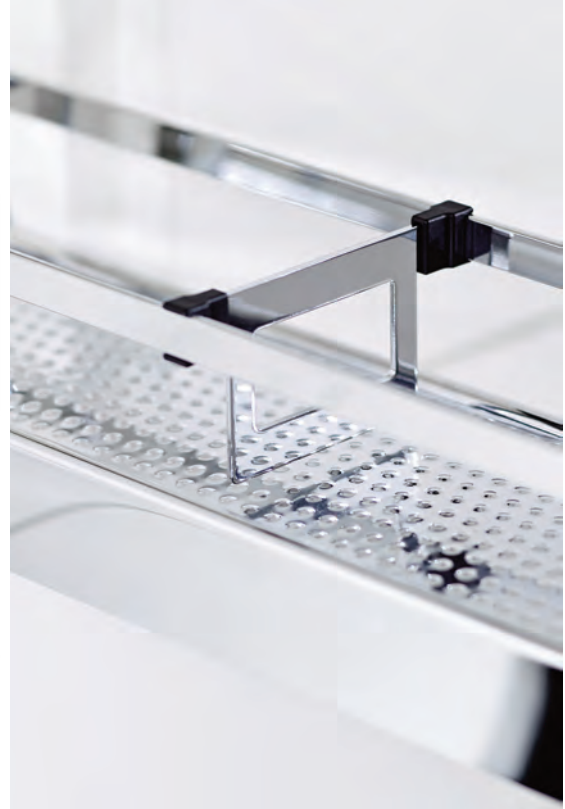




**No.15 base unit pull-out
45° angled front**

2 trays

B = inside carcase width:	≥ 112 mm
T = inside carcase depth:	≥ 495 mm
H = inside carcase height:	≥ 540 mm
h = hole distance:	380 mm



**No.15 base unit pull-out STYLE
diagonal, 2 trays**

incl. textured metal trays
and full-extension runners



Dimensions (mm)	Art. no.
for 45° angled unit attach right	03 5410
for 45° angled unit attach left	03 5411



**No.15 base unit pull-out CLASSIC
diagonal, 2 trays**

incl. textured metal trays
and full-extension runners



for 45° angled unit attach right	01 5410
for 45° angled unit attach left	01 5411



Divider STYLE (photo left)
for No.15 base unit pull-out

01 5293

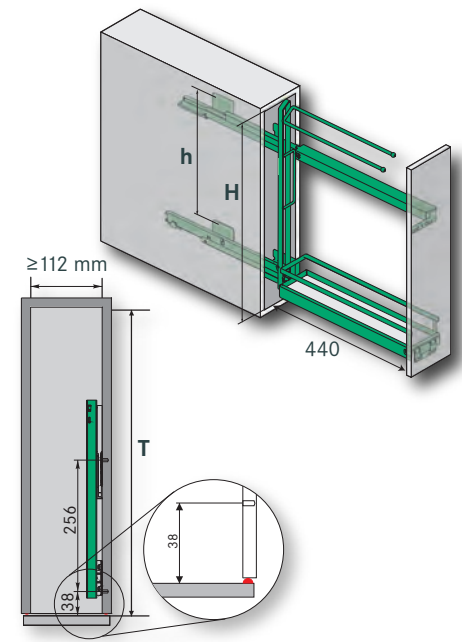
Divider CLASSIC (photo right)
for No.15 base unit pull-out

00 5293





The No.15 towel rail and the tray and baking tray rack offer practical and customizable ways of using space in narrow base units.



B = inside carcass width:	≥ 112 mm
T = inside carcass depth:	≥ 481 mm
H = inside carcass height:	≥ 592 mm
h = hole distance:	380 mm



Art. no. Dimensions (mm)

for 90° unit

attach right

Maximum load:
12 kg

No.15 towel-rail pull-out STYLE
complete; incl. full-extension runners



03 5418



05 5418

3D-X



for 90° unit

attach right

Maximum load:
12 kg

No.15 towel-rail pull-out CLASSIC
complete; incl. full-extension runners



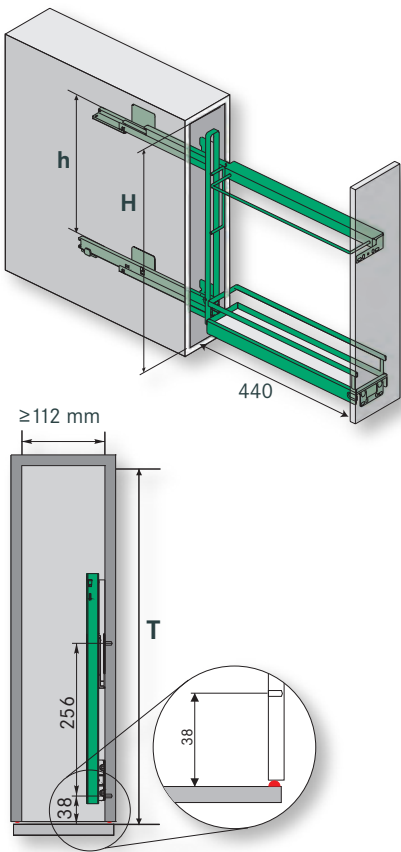
01 5418



04 5418

3D-X





B = inside carcass width:	≥ 112 mm
T = inside carcass depth:	≥ 481 mm
H = inside carcass height:	≥ 542 mm
h = hole distance:	380 mm

Dimensions (mm) **Art. no.**

No.15 baking tray and tray pull-out STYLE for 90° unit
complete; incl. full-extension runners



03 5419



3D-X **05 5419**

attach right

Maximum load:
12 kg



No.15 baking tray and tray pull-out CLASSIC for 90° unit
complete; incl. full-extension runners



01 5419



3D-X **04 5419**

attach right

Maximum load:
12 kg







cookingAGENT –
the new solution for creative kitchens.



Well-organised for good cooking: **cookingAGENT.**

It's the modular design design that makes a cookingAGENT so versatile and flexible. Users choose the elements they want – and how to organise them.

cookingAGENT has space for everything – spices, oils and sauces, chopping boards, knives, even plates and bowls. It's every cook's dream – everything you need is right where you need it as you cook. cookingAGENT is a true full-extension pull-out that moves all the contents completely out in front of the cabinet. What could be better?

Streamlined wire surround,
one-piece base

Modular design.
Arrange and change elements.

All plastic elements dishwasher
safe and detachable for easy
cleaning.



Standard with:



cookingAGENT

Set consists of:

- 1 system carrier for bottom mounting
- 3 lift-out metal baskets
- 5 lift-out plastic containers
- 1 handle (for inside pull-out)
- 8 dividers
- 1 accessory bag mounting plate
- 1 accessory bag front connectors
(for pull-out front panel)

Dimensions (mm)

Art. no.

Pull-out, bottom-mounted

clear inside dim.
WxDxH

260 x 489 x 625

02 5230

Pull-out, side-mounted

260 x 512 x 625

02 5231

Inside pull-out, bottom-mounted

260 x 489 x 625

02 5233







COMFORT base unit pull-out



Small dimensions –
extra convenience!

With a choice of trays and tray heights, a COMFORT base unit pull-out adapts easily to the user's requirements. Other benefits: the range of widths, ultra-simple assembly, perfect damping and concealed runners.

Damping integrated invisibly in the runner

Fast assembly with clip-on connections

Narrow installation width

Trays and baskets hook on securely

Perfect action and high lateral stability

Standard with:



On request with:

ARENA^{plus}
anti-slip finish

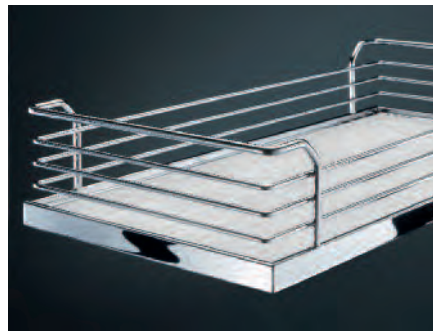


Choice of tray/basket styles

Metal baskets

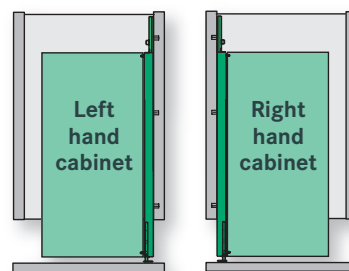
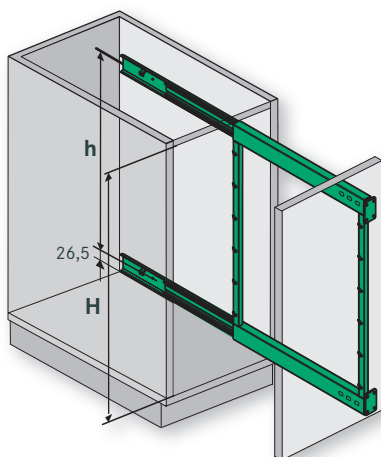
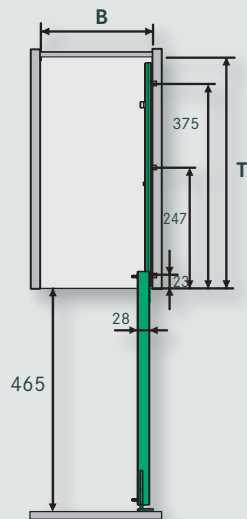


ARENA Classic



ARENA Style



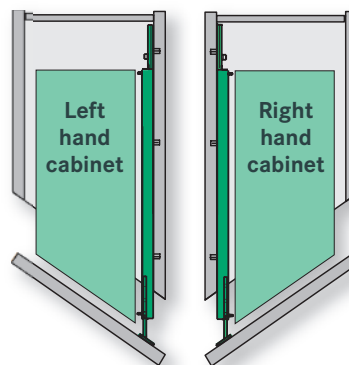
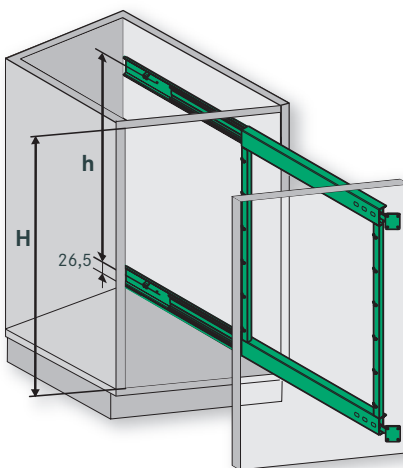
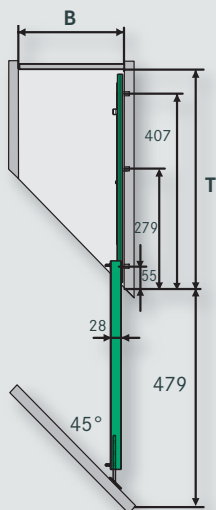


Base unit pull-out COMFORT 90° front angle

B = inside cabinet width: basket width + 33 mm

T = inside cabinet depth: ≥ 485 mm

H = inside cabinet height: ≥ 499 mm (Art. no. 01 5165/01 5166),	$h = 439$ mm
≥ 599 mm (Art. no. 01 5169/01 5170),	$h = 539$ mm
≥ 663 mm (Art. no. 01 5173/01 5174),	$h = 603$ mm

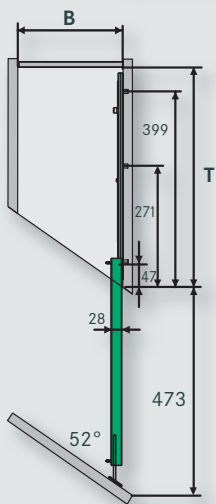


Base unit pull-out COMFORT diagonal 45°

B = inside cabinet width: basket width + 33 mm

T = inside cabinet depth: ≥ 515 mm

H = inside cabinet height: ≥ 499 mm (Art. no. 01 5165/01 5166),	$h = 439$ mm
≥ 599 mm (Art. no. 01 5169/01 5170),	$h = 539$ mm
≥ 663 mm (Art. no. 01 5173/01 5174),	$h = 603$ mm

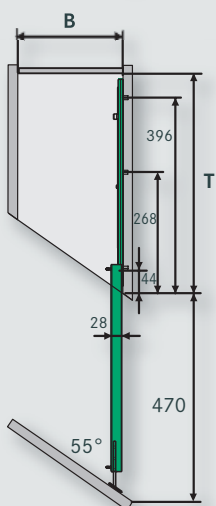


Base unit pull-out COMFORT diagonal 52°

B = inside cabinet width: basket width + 33 mm

T = inside cabinet depth: ≥ 508 mm

H = inside cabinet height: ≥ 499 mm (Art. no. 01 5165/01 5166),	$h = 439$ mm
≥ 599 mm (Art. no. 01 5169/01 5170),	$h = 539$ mm
≥ 663 mm (Art. no. 01 5173/01 5174),	$h = 603$ mm



Base unit pull-out COMFORT diagonal 55°

B = inside cabinet width: basket width + 33 mm

T = inside cabinet depth: ≥ 505 mm

H = inside cabinet height: ≥ 499 mm (Art. no. 01 5165/01 5166),	$h = 439$ mm
≥ 599 mm (Art. no. 01 5169/01 5170),	$h = 539$ mm
≥ 663 mm (Art. no. 01 5173/01 5174),	$h = 603$ mm

	Dimensions (mm)	Art. no.
Full-extension frame COMFORT max. load: 24 kg	left-hand cabinet:	
	height: 497	01 5165
	height: 597	01 5169
	height: 661	01 5173
	right-hand cabinet:	
	height: 497	01 5166
	height: 597	01 5170
	height: 661	01 5174

Available powder-coated only!

Standard with



Front bracket 90° (left) for base unit pull-outs		01 5147
Front bracket diagonal (right) for diagonal base unit pull-outs	front angle: 45°	01 5148
	front angle: 52°	01 5049
Other front angles on request	front angle: 55°	01 5048



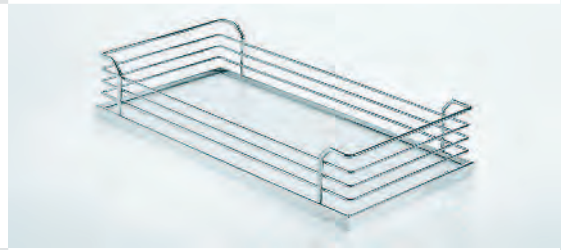
Hook-on tray ARENA Style for base unit pull-outs	WxDxH	
	110 x 470 x 75	05 5140
	160 x 470 x 75	05 5141
	228 x 470 x 75	05 5142
	295 x 470 x 75	05 6206

On request with

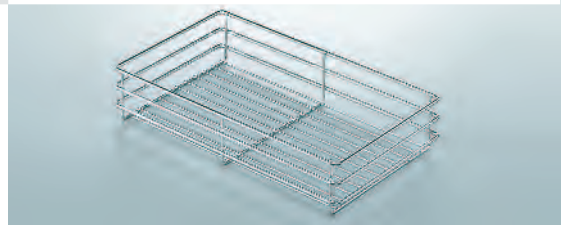


Hook-on tray ARENA Classic for base unit pull-outs	WxDxH	
	110 x 470 x 88	01 5140
	160 x 470 x 88	01 5141
	228 x 470 x 88	01 5142
	295 x 470 x 88	01 6206

On request with

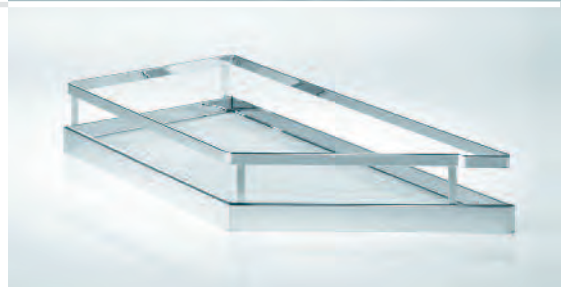


Hook-on metal basket for base unit pull-outs	WxDxH	
	110 x 470 x 75	00 5140
	160 x 470 x 75	00 5141
	210 x 470 x 75	00 5142
	320 x 470 x 75	00 5143



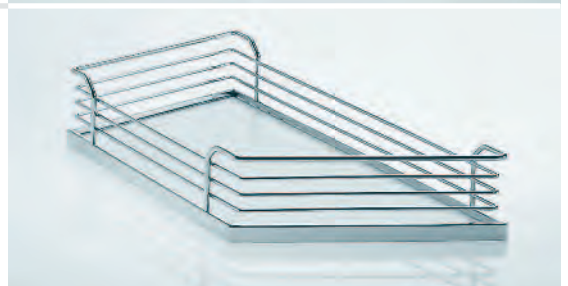
Hook-on tray ARENA Style for diagonal base unit pull-outs	WxDxH for slant left	
	45° 228 x 470 x 75	05 5070
	52° 228 x 470 x 75	05 5052
	55° 228 x 470 x 75	05 5072
	WxDxH for slant right	
	45° 228 x 470 x 75	05 5071
	52° 228 x 470 x 75	05 5053
	55° 228 x 470 x 75	05 5073

On request with



Hook-on tray ARENA Classic for diagonal base unit pull-outs	WxDxH for slant left	
	45° 228 x 470 x 88	01 5070
	52° 228 x 470 x 88	01 5052
	55° 228 x 470 x 88	01 5072
	WxDxH for slant right	
	45° 228 x 470 x 88	01 5071
	52° 228 x 470 x 88	01 5053
	55° 228 x 470 x 88	01 5073

On request with



Hook-on metal basket for diagonal base unit pull-outs	WxDxH for slant left	
	45° 228 x 467 x 74	00 5070
	52° 228 x 467 x 74	00 5052
	55° 228 x 467 x 74	00 5045
	WxDxH for slant right	
	45° 228 x 467 x 74	00 5071
	52° 228 x 467 x 74	00 5053
	55° 228 x 467 x 74	00 5046





New functionality for
COMFORT base unit pull-out

Practical and decorative
bottle storage in the kitchen

Can be combined with
ARENA trays or metal baskets



Bottle-rack
for 30 cm base unit pull-out COMFORT

Art. no. Dimensions (mm)

WxDxH

00 5144 210 x 470 x 108



DISPENSA Junior – flexible storage in a base unit.



Pull-out with concealed
bottom-panel mounting.

DISPENSA Junior can be adapted flexibly to different uses – with easy height adjustment and a choice of functional trays. Makes optimal use of space.

Base panel mounting makes retrofitting easy.

Cabinet widths
30-60 cm

Easy access

Fit at different heights,
1/2 trays available

Mounted on the bottom panel

Standard with:



ARENA^{plus}
anti-slip finish



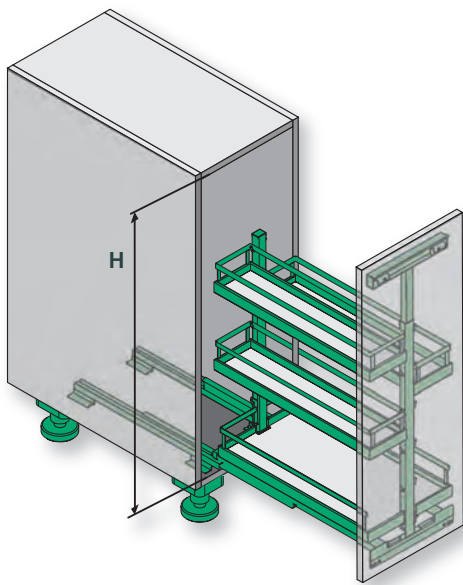
Choice of tray styles

ARENA Classic



ARENA Style





B = inside cabinet width:	≥ cabinet width minus 40 mm
T = inside cabinet depth:	≥ 500 mm
H = inside cabinet height:	≥ 630 mm

**Art. no.** Dimensions (mm)

Art. no.	Dimensions (mm)	DISPENSA Junior with ARENA Style trays
26 1002	300	Complete set consisting of:
26 1005	400	1 fitting
26 1008	450	2 runners
26 1011	500	1 large tray ARENA Style
26 1016	600	3 small trays ARENA Style

Cabinet width:	Large tray:	Small tray:
300	250 x 450 x 75	110 x 470 x 75
400	350 x 450 x 75	160 x 470 x 75
450	400 x 450 x 75	185 x 470 x 75
500	450 x 450 x 75	210 x 470 x 75
600	550 x 450 x 75	260 x 470 x 75

Standard with
SOFTSTOPP
damper

Standard with
ARENAplus
anti-slip finish

Fitting colour: brilliant white
Tray decor ice white only!



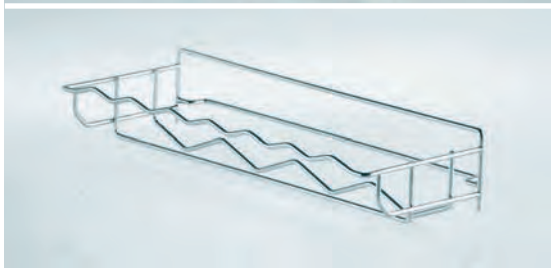
Art. no.	Dimensions (mm)	DISPENSA Junior with ARENA Classic trays
26 1001	300	Complete set consisting of:
26 1004	400	1 fitting
26 1007	450	2 runners
26 1010	500	1 large tray ARENA Classic
26 1014	600	3 small trays ARENA Classic

Cabinet width:	Large tray:	Small tray:
300	250 x 452 x 106	110 x 470 x 88
400	350 x 452 x 106	160 x 470 x 88
450	400 x 452 x 106	185 x 470 x 88
500	450 x 452 x 106	210 x 470 x 88
600	550 x 452 x 106	260 x 470 x 88

Standard with
SOFTSTOPP
damper

Standard with
ARENAplus
anti-slip finish

Fitting colour: white aluminium
Tray decor white only!



Art. no.	Dimensions (mm)	Bottle-rack for DISPENSA Junior
00 5224	220 x 470 x 108	



Pull-outs and inside pull-outs – attractive and practical designs.



Spacer strip for mounting behind hinged doors

Lowered fronts for easy access

Integrated self closing

Runner shroud for a streamlined look

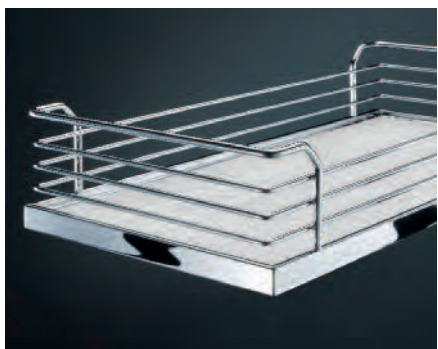
On request with:
ARENA^{plus}
anti-slip finish

Choice of tray styles

Metal baskets



ARENA Classic





Runner shroud for a streamlined look.



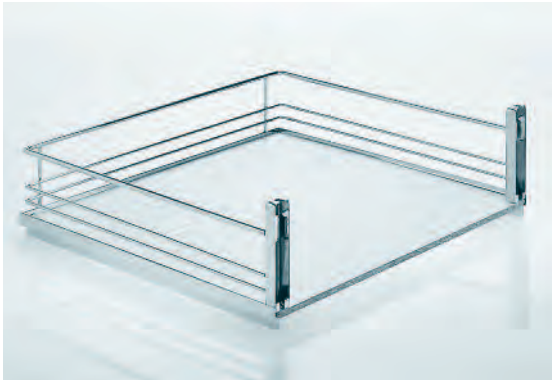
3D adjustment for front pull-outs.





Front and inside pull-outs I (ARENA)

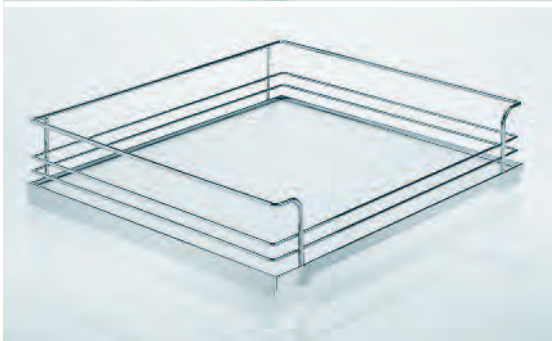
Cabinet width	Installation width incl. runners (excl. spacer)	Front pull-out I ARENA	Inside pull-out I ARENA
450 mm	412/418 mm	01 8643	01 8647
500 mm	462/468 mm	01 8644	01 8648
600 mm	562/568 mm	01 8645	01 8649
Installation width + 25 mm for spacer (Art. no. 00 8756)			
450 mm	387/393 mm		01 8650
500 mm	437/443 mm		01 8651
600 mm	537/543 mm		01 8652



Art. no. Dimensions (mm)

	WxDxH	Front pull-out I ARENA
01 8643	403 x 491 x 165	for full-extension runners
01 8644	453 x 491 x 165	Art. no. 00 7093 and 00 7094
01 8645	553 x 491 x 165	

On request with
ARENAplus
anti-slip finish



	WxDxH	Inside pull-out I ARENA
01 8647	402 x 488 x 125	for full-extension runners
01 8648	452 x 488 x 125	Art. no. 00 7093 and 00 7094
01 8649	552 x 488 x 125	
01 8650	377 x 488 x 125	To use with spacer (Art. no. 00 8756)
01 8651	427 x 488 x 125	
01 8652	527 x 488 x 125	

On request with
ARENAplus
anti-slip finish



00 7094 Length: 500 **Full-extension runner**
for front and inside pull-outs I
pull-out 560 H 5000 B
with self-closing mechanism and damper
max load: 30 kg

Colour code:
galvanized (0007)



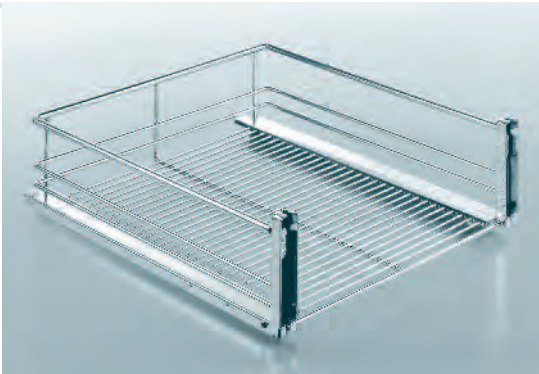
00 0092 **Front bracket**
for front and inside pull-outs
to be screwed





00 8756 25 mm **Spacer**
chromeplated
also available in white


Front and inside pull-outs III (metal with runner shrouds)


Cabinet width	Installation width incl. runners (excl. spacer)	Front pull-out III metal	Front pull-out III metal
400 mm	362/368 mm	00 8642	00 8646
450 mm	412/418 mm	00 8643	00 8647
500 mm	462/468 mm	00 8644	00 8648
600 mm	562/568 mm	00 8645	00 8649
Installation width + 25 mm for spacer (Art. no. 00 8756)			
450 mm	387/393 mm		00 8650
500 mm	437/443 mm		00 8651
600 mm	537/543 mm		00 8652

	Dimensions (mm)	Art. no.	
Front pull-out III metal for full-extension runners Art. no. 00 7093 and 00 7094	WxDxH		
	345 x 503 x 140	00 8642	
	395 x 503 x 140	00 8643	
	445 x 503 x 140	00 8644	
	545 x 503 x 140	00 8645	

Inside pull-out III metal for full-extension runners Art. no. 00 7093 and 00 7094	WxDxH		
	345 x 500 x 127	00 8646	
	395 x 500 x 127	00 8647	
	445 x 500 x 127	00 8648	
	545 x 500 x 127	00 8649	
To use with spacer (Art. no. 00 8756)	370 x 500 x 127	00 8650	
	420 x 500 x 127	00 8651	
	520 x 500 x 127	00 8652	

Full-extension runner for front and inside pull-outs III pull-out 560 H 5000 B with self-closing mechanism and damper max load: 30 kg Colour code: galvanized (0007)	Length: 500	00 7094	
---	-------------	----------------	--

Front panel connector for front and inside pull-outs srew-on Colour code: galvanized (0007)		00 0092	
--	--	----------------	--

Spacer chromeplated also available in white	25 mm	00 8756	
--	-------	----------------	--



Inside pull-out V

Cabinet width	Inside width incl. runners	Art. no.
300 mm	232-262 mm	00 7450
400 mm	342-372 mm	00 7451
500 mm	432-462 mm	00 7452
600 mm	522-552 mm	00 7453



Art. no. Dimensions (mm)

	WxDxH
00 7450	226 x 493 x 80
00 7451	330 x 493 x 80
00 7452	428 x 493 x 80
00 7453	530 x 493 x 80

Inside pull-out V
incl. roller runners
width-adjustable by clip-system



	width:
00 7455	15
00 7456	26

Distance bracket
for inside pull-outs V
set (= 2 pcs.)
incl. flat-head screw M5 x 7

Colour codes:
grey (9006)
white (9010)



00 7454

Door protection clip
for inside pull-outs V
to hook-on right-or left hand



Inside pull-outs VI

Art. no.	Height of basket	Cabinet width	Cabinet inside width	Spacer
00 7457	50 mm	400 mm	367 mm	12 mm
00 7460	100 mm	400 mm	367 mm	12 mm
00 7458	50 mm	500 mm	467 mm	12 mm
00 7461	100 mm	500 mm	467 mm	12 mm
00 7459	50 mm	600 mm	567 mm	12 mm
00 7462	100 mm	600 mm	567 mm	12 mm

Inside pull-outs VI

incl. roller runners
incl. door protection clip

max. load: 15 kg

Available powder coated only!

Dimensions (mm)

Art. no.

WxDxH

345 x 500 x 50

00 7457

445 x 500 x 50

00 7458

545 x 500 x 50

00 7459

345 x 500 x 100

00 7460

445 x 500 x 100

00 7461

545 x 500 x 100

00 7462





TANDEM swivel pull-out



Art. no. Dimensions (mm)

00 9030 WxDxH
530 x 325 x 600

Pull-out shelf
with frame for hook-on baskets
incl. ball bearing runners,
KD design, bottom fixing

max. load: 15 kg

Available epoxy-coated only!



00 9034 WxDxH
505 x 308 x 74

Hook-on basket
for pull-out shelf



00 9035 WxDxH
540 x 150 x 605

Door frame
with follower

max. load: 5 kg



00 5141 WxDxH
160 x 470 x 75

Hook-on basket metal
for door frame



Special fittings



Art. no. Dimensions (mm)



Set for bottle and bread pull-out
for 30 cm COMFORT base unit pull-out

Consisting of:
1 COMFORT full-extension frame, 661 mm
2 front brackets 90°
2 removable bread bag baskets
(210 x 470 x 75 mm)
1 linen bread bag (175 x 240 x 445 mm)
1 bottle rack (210 x 470 x 108 mm)

23 1017
23 1699

for right hand cabinet (installation left)
for left hand cabinet (installation right)



WxDxH
00 6255 220 x 391 x 475

Pull-out bottle rack and bread basket
incl. bread bag
concealed attachment to base panel

Attach to 16 mm base panel
with self-tapping crosshead screw
as per DIN 7981 (4.2 x 25 mm)



WxDxH
00 6258 275 x 240 x 445

Bread bag holder
incl. bag

	Dimensions (mm)	Art. no.	
Bottle carrier basket for eight bottles, with 4 floorgliders, drops into metal surround art. no. 006267	WxDxH 195 x 410 x 304	00 1123	

Metal surround concealed attachment to base panel Attach to 16 mm base panel with self-tapping crosshead screw as per DIN 7981 (4.2 x 25 mm)	WxDxH 240 x 430 x 39	00 6267	
---	-------------------------	----------------	--

Metal surround for front pull-outs attach via front panel connectors	WxDxH 250 x 450 x 135	00 6268	
Front panel connector for front panels to be screwed		00 0092	

Full-extension runner max. load: 30 kg Colour code: galvanized (0007)	Length: 495	01 7086	
---	----------------	----------------	--

Connectors for art. no. 01 7086		00 7087	
---	--	----------------	--



Art. no. Dimensions (mm)

	WxDxH	Baking tray rack
00 6251	75 x 300 x 250	attach to bottom panel



	Width:	Bracket
00 4060	225	for 4-sided laundry basket



	WxDxH	Laundry basket 4-sided
00 4061	270 x 300 x 320	stackable
00 4062	340 x 250 x 400	
00 4063	340 x 250 x 450	Available epoxy-coated only!
00 4064	395 x 480 x 420	
00 4065	395 x 480 x 520	
00 4066	400 x 500 x 450	
00 4067	280 x 290 x 500	
00 4068	230 x 270 x 430	
00 4069	430 x 270 x 430	



PORTERO cleaning agent pull-out –
with practical carry basket.



Top marks
for practicality.

All cleaning agents in one pull-out. The top basket swings aside for better access to lower baskets. Special feature: the integrated 'service station' that can be lifted out and taken along. Choice of three sizes. The plastic base trays are dishwasher safe and can be removed for cleaning.

Top swivel basket for extra storage space

Simply mounted on the bottom panel

Acid-resistant, plastic trays provide a firm footing for bottles and catch spills

Adaptable system carrier

Standard with:



For easy access to the cleaning agents in the lower basket ...

... the top basket can be pushed left or right.

Top marks for practicality: removable basket with handle.





It goes anywhere ...



... its into different spaces ...



... in any position.



Art. no. Dimensions (mm)

00 5151 160 x 468 x 395

Cleaning agent pull-out PORTERO – Set 1
consisting of:
1 system base
1 portable basket with handle
4 dividers



00 5152 276 x 468 x 395

Cleaning agent pull-out PORTERO – Set 2
consisting of:
1 system base
1 portable basket with handle
1 portable basket w/o handle
4 dividers



00 5153 276 x 468 x 510

Cleaning agent pull-out PORTERO – Set 3
consisting of:
1 system base
1 portable basket with handle
1 portable basket w/o handle
1 swivel basket
8 dividers

Lockable cleaning agent pull-out:
safety first, especially for children!



Lockable cleaning agent pull-out
incl. runners
installation left or right

Dimensions (mm) **Art. no.**

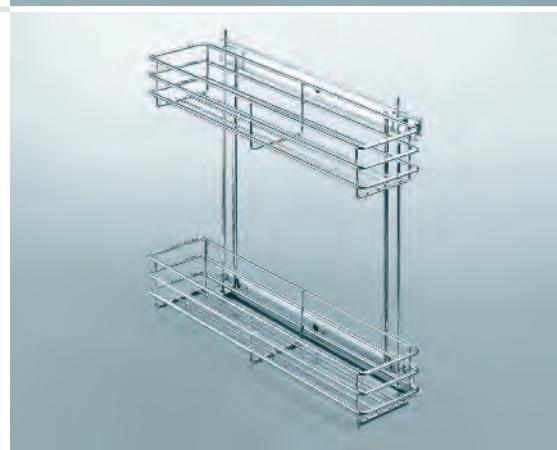
WxDxH
202 x 432 x 440 **00 5150**



Undersink pull-out I
incl. runners
installation left or right

WxDxH
117 x 470 x 400 **00 5125**

min. width
incl. runners:
140 mm
(daylight)



Undersink pull-out II
incl. runners
installation left or right

WxDxH
217 x 470 x 400 **00 5139**

min. width
incl. runners:
240 mm
(daylight)





Art. no. Dimensions (mm)

	WxDxH	Undersink pull-out I
00 5039	205 x 425 x 420	2-tier incl. runners



	WxDxH	Cleaning agent basket I
00 5130	312 x 101 x 113	



	WxDxH	Cleaning agent basket II
00 5128	323 x 102 x 380	



	WxDxH	Dustpan and brush rack
00 5129	135 x 355 x 160	for doors hinged left or right



		Pull-out towel rack
		swivels smoothly attaches left, right or under counter
	WxD	
00 5050	102 x 495	2 arms
00 5051	145 x 495	3 arms

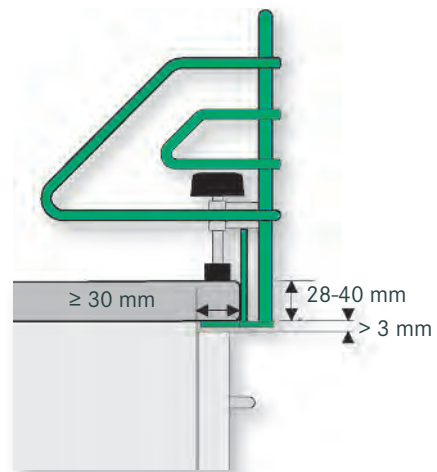


00 5057	Towel rack runner cover
	clips over towel rack runner (Art. no. 00 5050 and 00 5051)

Colour codes:
palegrey (7035)
white (9010)



Hob safety guard –
clamps on.



Extra safety – easily attached



Hob safety guard
clamps on, for 60 cm hob

Colour code:
bright chrome (0005)

Art. no.	Dimensions (mm)
	WxDxH
00 8163	678 x 140 x 175



Hob safety guard
clamps on, for 90 cm hob

Colour code:
bright chrome (0005)

Art. no.	Dimensions (mm)
	WxDxH
00 8164	978 x 140 x 175



Storage racks



For installing between units

Under-hob rack with
security rail back and front



Under hob pull-out rack
complete incl. runners
and stainless steel runner covers

max. load: 20 kg

Art. no. Dimensions (mm)

00 6352 installation width: 600 mm
 depth: 530 mm

00 6353 installation width: 900 mm
 depth: 530 mm



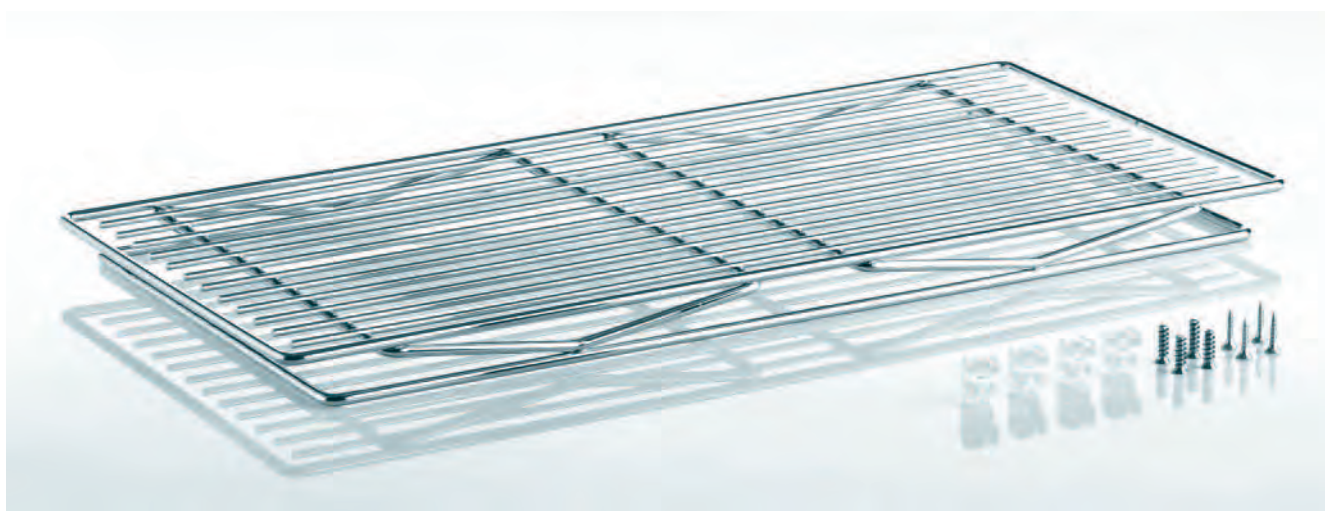
The rack supports – for 16 and 19 mm panel thickness – also function as transport safety clips.



Storage racks (sold as pack of 2)

Incl. 4 rack supports, 4 spax (\varnothing 4 x 20 mm) and 4 euro screws (\varnothing 6.3 x 19 mm) per rack

Inside cabinet width	Rack width x depth (mm)	Art. no.	Inside cabinet width	Rack width x depth (mm)	Art. no.	Inside cabinet width	Rack width x depth (mm)	Art. no.
418/412	407 x 260	006158	418/412	407 x 445	006165	418/412	407 x 490	006172
468/462	457 x 260	006159	468/462	457 x 445	006166	468/462	457 x 490	006173
568/562	557 x 260	006160	568/562	557 x 445	006167	568/562	557 x 490	006174
768/762	757 x 260	006161	768/762	757 x 445	006168	768/762	757 x 490	006175
868/862	857 x 260	006162	868/862	857 x 445	006169	868/862	857 x 490	006176
968/962	957 x 260	006163	968/962	957 x 445	006170	968/962	957 x 490	006177
1168/1162	1157 x 260	006164	1168/1162	1157 x 445	006171	1168/1162	1157 x 490	006178





Swing-up fittings – useful kitchen aids swing into action.



Space-saving storage for kitchen equipment: Drop out of sight by unlocking two handles

Parallel swivel fitting I

Installation width:
steplessly adjustable from 410-570 mm

Dimensions (mm)

Art. no.

with 2 springs
max. load: 8 kg
usable height: 240
swivel depth: 468

01 5309

with 4 springs
max. load: 8 kg
usable height: 240
swivel depth: 468

01 5310

Installation height:
min. 505


Parallel swivel fitting II

Installation width:
steplessly adjustable from 410-570 mm
with 2 springs
max. load: 8 kg

Dimensions (mm)

Art. no.

usable height: 180
swivel depth: 440

01 5307

Installation height:
min. 455


Parallel swivel fitting III

without connection rod
for any width

Dimensions (mm)

Art. no.

with 2 springs
max. load: 8 kg
usable height: 310
swivel depth: 468

01 5312

with 4 springs
max. load: 10 kg
usable height: 310
swivel depth: 468

01 7573

Installation height:
min. 505





Drop out of sight by slightly lifting the base panel

Stops automatically in working position



Swivel fitting

for any width
max. load: 8 kg

Art. no. Dimensions (mm)

00 5300 usable height: 280
 swivel depth: 425

Installation height:
min. 444

